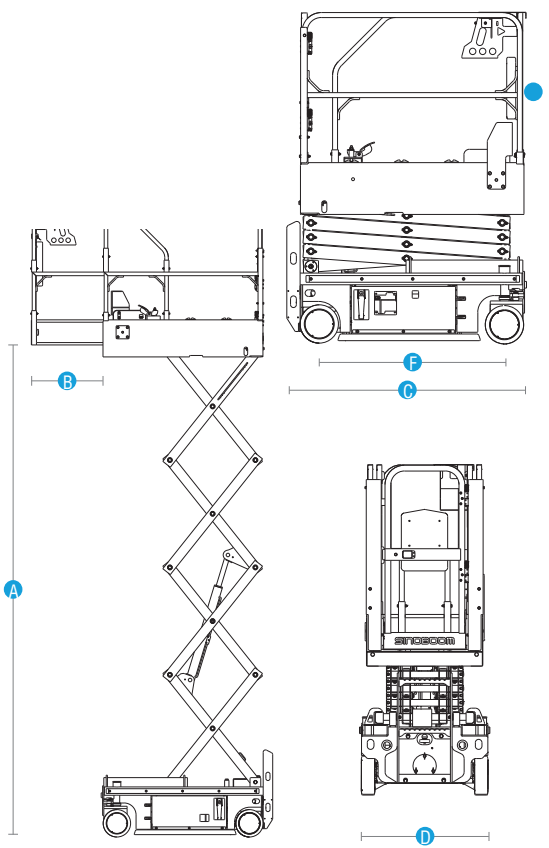


Model		0407SE(1330SE)
Dimensions		
Max Working Height	5.8m(19')	
A Max Platform Height	3.8m(12'6")	
B Max Horizontal Extension	0.6m(23.6")	
C Length- Stowed	1.42m(4'8")	
D Width- Stowed	0.76m(2'6")	
E Height-stowed (Rail Folded)	1.67m(6'5")	
E Height-stowed (Rail Unfolded)	1.97m(6'6")	
F Wheelbase	1.11m(3'8")	
Ground Clearance(Pothole Guard Stowed)	0.065m(2.5")	
Ground Clearance(Pothole Guard Deployed)	0.02m(0.75")	
Platform Dimensions(LxWxH)	1.34mx0.7mx1.1m(4'5"x2'4"x3'7")	
Performance		
Platform Allowable Occupants(Indoor)	2 persons	
Platform capacity	240kg(529lbs)	
Lift Extension Capacity	100kg(220lbs)	
Drive Speed- Stowed	4km/h(2.5mph)	
Drive Speed- Raised	0.8km/h(0.5mph)	
Lift Time(Unloaded)	30s~33 s	
Descent Time(Unloaded)	25s~30 s	
Gradeability	25 %	
Turning Radius(Inside/ Outside)	0.3m/1.35m(12"/4'5")	
Tilt Rating(Front to Back/Side to Side)	3°/1.5 °	
Tyre Size/ Type	230x80mm (9x3")/ solid	
Power		
Batteries	2x12 V,115 Ah	
Power Source	24V DC	
Drive Mode	Motor, Rear wheel	
Charger Input	100~240V AC	
Charger Output	15A	
Hydraulic System Capacity	4L(0.9 gal (UK) /1.05 gal (US))	
Weight		
Weight(Indoor)	880kg(1,941lbs)	
Standards Compliance		ISO/CE/ANSI/CSA/AS/KCS/EAC



Standard features		
Maintenance-free battery	Automatic braking system	Drive at hull height
Proportional control	Emergency lowering system	Forklift pocket and lifting eyes
Bumper rail	Emergency stop at both platform and ground controls	Electrophoresic paint technology
2WDx2WS	Fault diagnosis system	Foldable guardrail
Non-marking tyres	Tilt protection	Overload sensing system
Integrated hand shield	Automatic pothole guard	